

INSIGNIA  HOMES

SV

SOUTHVALE

FRANKLIN

LOT #69

SELECTION PHOTOS PACKET

DATE: REVISED: 5/11/2026

# EXTERIORS



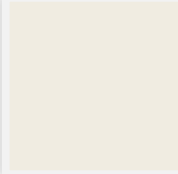
ROOF  
GAF  
Charcoal



METAL ROOF  
Dark Bronze



TRIM COLOR  
SW Greek Villa



SIDING  
SW Greek Villa



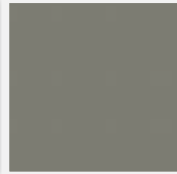
BRICK  
Heron Bay w/  
White Mortar  
(Brown Sand)



FRONT DOOR  
Jacobean



CLAD  
WINDOWS  
Brown



SHUTTER  
SW Link Gray

# KITCHEN



FAUCET  
Delta Emmeline Faucet in  
Champagne Bronze



BACKSPLASH  
Louisville Tile Hampstead  
Beige 2x6 Gloss



COUNTERTOPS  
Pental Quartz, Luce Oro



CABINET FINISH  
SW Origami White



SINK  
Blanco Precis Super Single  
Undermount Sink  
in White Silgranit



CABINET HARDWARE

CABINET DOOR STYLE  
(Not color)



# HOOD STYLE



*Photo is to Show Design Concept Only. Finishes and Final Installation Will Vary from Photo.*

## DETAILS

- Box hood painted cabinet finish with (3) integrated panels to match cabinet selection
- Room crown to wrap



HOOD FINISH  
SW Origami White

# KITCHEN APPLIANCES



Bosch  
36" Gas Cooktop



Bosch Dishwasher



Bosch  
30" Built-In  
Convection/Microwave Oven &  
30" Wall Oven

# POWDER BATH



FAUCET  
Saylor in  
Champagne Bronze



MIRROR  
Canillo Gold Mirror



SINK  
American Standard  
Edgemere in White



VANITY WALL TILE  
Louisville Tile EURO Tatami  
Sand 12x24

# UTILITY ROOM



FAUCET  
Delta Emmeline Bar/Prep in  
Champagne Bronze



CABINET DOOR STYLE (Not Color)



COUNTERTOPS  
Valiant Quartz, Everest



CABINET FINISH  
SW Origami White



SINK  
Blanco Precis Silgranit  
Undermount Sink in White



CABINET HARDWARE



FLOOR TILE  
Louisville Tile Belgian Linen Natural 6x24 Matte

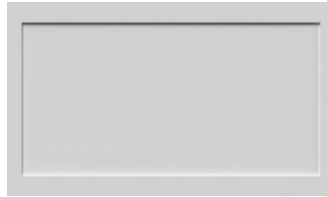
# PRIMARY BATHROOM



SINK FAUCET  
Delta Trinsic in  
Champagne Bronze



SINK  
White Rectangular Sink



CABINET DOOR STYLE (Not Color)



COUNTERTOPS  
Valiant Quartz, Everest

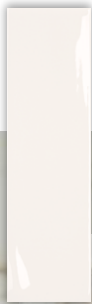


MIRRORS



CABINET FINISH  
SW Origami White

SHOWER & TUB WALL TILE  
Louisville Tile 3x10 Vivant  
Blanc Gloss



FLOOR TILE  
Louisville Tile Vena Calacatta  
Macchia Vecchia 12x24 Matte



CABINET HARDWARE



SHOWER  
FLOOR TILE  
Dalfile 2x4  
Elongated Hex  
Mosaic in  
Daphne White



TUB & FAUCET  
Maax Villi Acrylic Tub



SHOWER FAUCET  
Delta Trinsic in  
Champagne  
Bronze

# BATHROOM 2



SINK FAUCET  
Saylor in  
Champagne  
Bronze



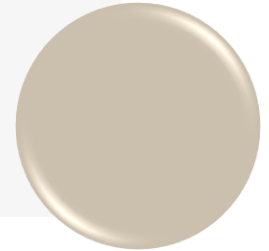
SINK  
White Rectangular Sink



CABINET DOOR STYLE (Not Color)



COUNTERTOPS  
Daltile One Quartz, Morning  
Frost



CABINET FINISH  
SW Sand Bar



FLOOR TILE  
Emser Nobleza Lugo 12x24 Matte



TUB SURROUND TILE  
Louisville Tile Pace 4x16  
Canvas White Gloss



CABINET HARDWARE



TUB/SHOWER FAUCET  
Saylor in  
Champagne Bronze

# BATHROOM 3



SINK FAUCET  
Saylor in  
Champagne  
Bronze



SINK  
White Rectangular Sink



CABINET DOOR STYLE (Not Color)



COUNTERTOPS  
Valiant Quartz, Everest



CABINET FINISH  
SW Origami White

FLOOR TILE  
Louisville Tile Sandwaves  
Marshmallow 12x24 Matte



TUB SURROUND TILE  
Louisville Tile Verre Ondul Blanc  
12x24 Gloss



CABINET HARDWARE



TUB/SHOWER FAUCET  
Saylor in  
Champagne Bronze

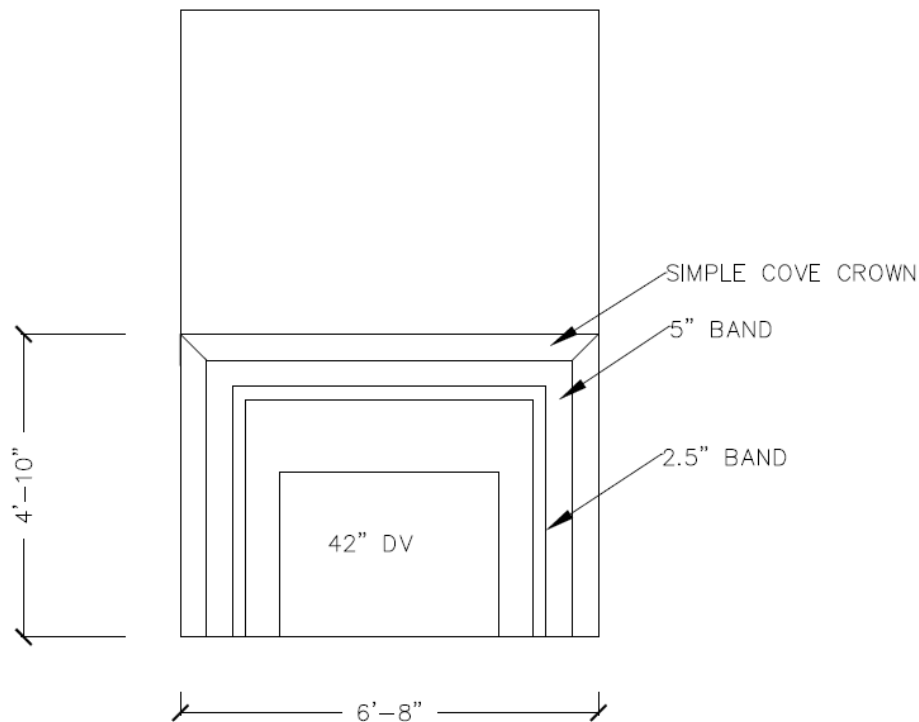
# GREAT ROOM FIREPLACE



*Photo is to Show Design Concept Only.  
Tile Selections, Finishes, & Final Installation  
Will Vary from Photo.*



SURROUND TILE  
Dal Namaste, 12x24



Trim built mantel with Namaste Marble Tile Surround.  
Delete Hearth.

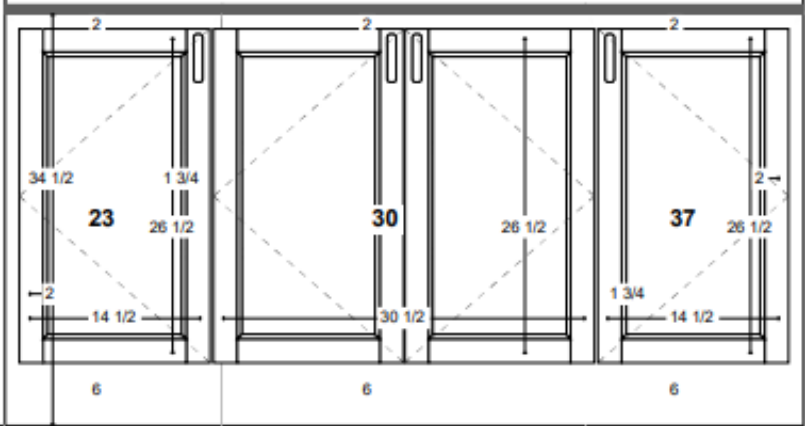
Mantel Depth:  
8" at deepest point

Mantel Height:  
58" above the finished floor

# GREAT ROOM BUILT-INS



CABINET FINISH  
SW Origami White



CABINET DOOR STYLE  
(Not color)



CABINET HARDWARE



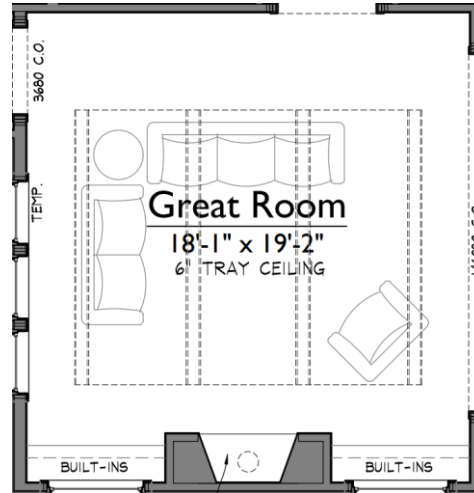
# GREAT ROOM CEILING DETAIL

## GREAT ROOM CEILING DETAIL

Add trim built stain grade white oak beams inside of tray ceiling per plan.

Beams to be mitered. Delete standard crown molding inside of tray.

Beams stained to match hardwood finish as closely as possible.



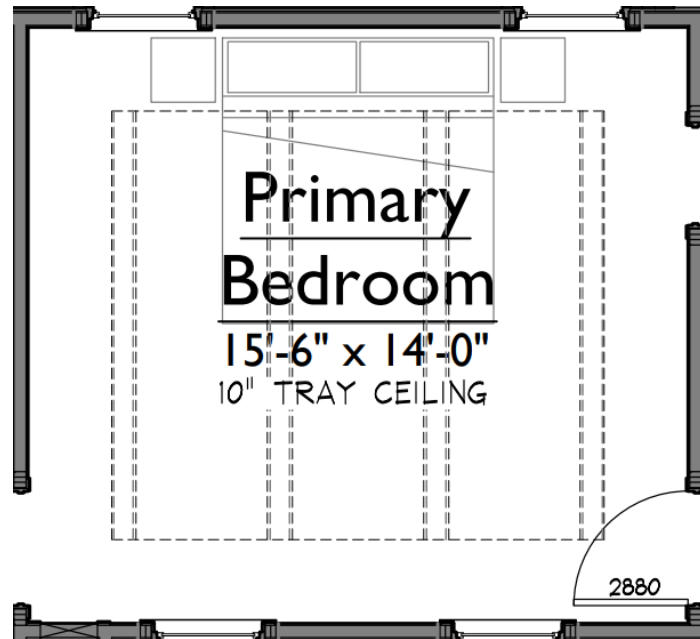
## BEAM FINISH

Beams stained to match hardwood flooring as closely as possible



*Photo is to Show Design Concept Only.  
Finishes and Final Installation Will Vary from Photo.*

# PRIMARY BEDROOM CEILING DETAIL



BEAM FINISH  
SW Origami White



## PRIMARY BEDROOM CEILING DETAIL

Add (4) trim-built paint grade beams inside of tray ceiling  
Per plan. Beams to be mitered. Add engineered hardwood  
between beams running parallel to bath.  
No crown at beams.

# FOYER WALL DETAIL

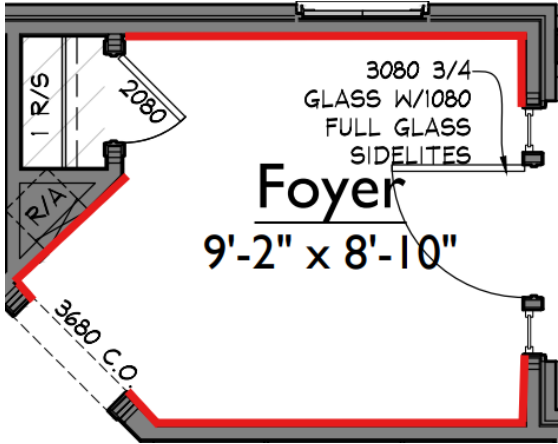


Repeating 1x4 and 1x2 board & batten trim detail applied to all walls.

Cap with a horizontal 1x4 and a 1x2 installed to project slightly past the 1x4.

Finished height to be approx. 60" above the finished floor.

Painted the trim color



Photos are to Show Design Concept Only. Finishes and Final Installation Will Vary from Photos. See Details.



# HOOK WALL (across from porch)



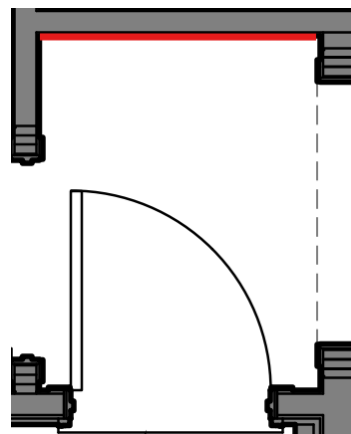
Repeating 1x4 and 1x2 board & batten trim detail applied to wall across from covered porch door.

Cap with a horizontal 1x4 and a 1x2 installed to project slightly past the 1x4.

Finished height to be approx. 60" above the finished floor.

Painted the trim color

Install 3 decorative hooks



# STAIRCASE



## STAIR TREAD FINISH

Stained to Match Hardwood  
Floors as closely as Possible

## STAIRS

Standard square wood painted spindles with White Oak  
Stained Stair Treads, Newel Posts, and Handrail (Stain to  
Match Hardwood Finish as Closely as Possible)

*Photo is to Show Design Concept Only.  
Finishes and Final Installation Will Vary from Photo.*

# TRIM PACKAGE



Standard casing, crown molding,  
baseboard and shoe

See standard Village Home  
specifications for trim sizes and  
locations



# INTERIOR DOORS & HARDWARE



Interior Door Style  
Cambridge 2 Panel

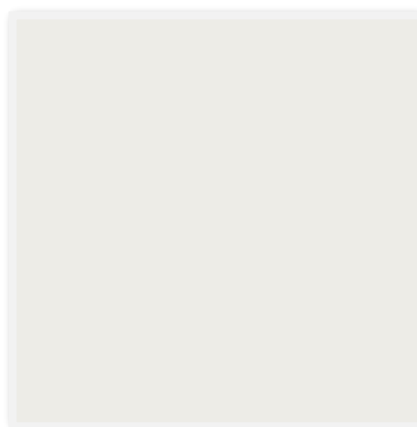


Front Door Hardware  
Schlage Century in  
Matte Black Finish



Interior Door Hardware  
Schlage Broadway Lever  
in Matte Black Finish

# INTERIOR PAINT



Ceiling, Wall & Trim Color  
SW Origami White

# FLOORING



Engineered Hardwood  
Silvian Collection  
in Luonto Nature



Carpet  
Decorative Charm  
#746 First Frost